

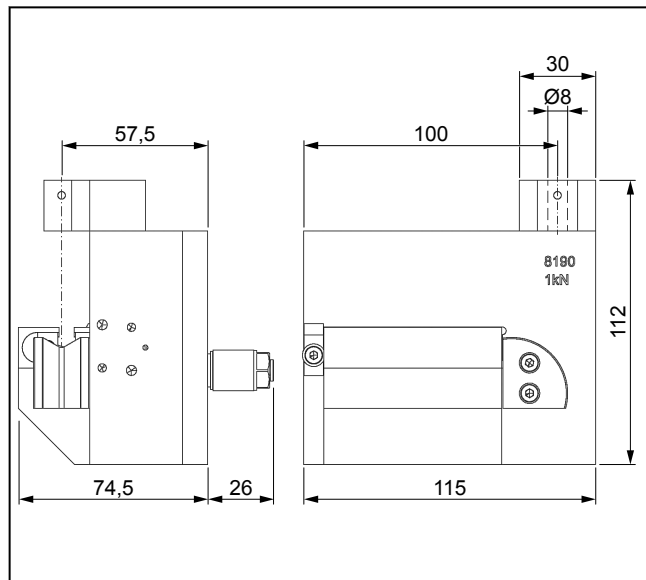
Product Information

Capstan grips type 8190 Fmax 1 kN, pneumatic

CTA: 40063 288101



Capstan grips type 8190 Fmax 1 kN, pneumatic



Capstan grips type 8190 Fmax 1 kN pneumatic, general view

Applications

- Specimen material: textiles, plastics, metals
- Specimen shape: yarn, tape up to 5mm wide, wire, low-count filament and staple yarns
- Type of loading: tensile

Function description

These pneumatic grips for yarn and tire cord are single-actuator grips for clamping fibrous or filamentary tensile specimens.

The load-reduction curve with 90° deflection gently reduces the tensile force before the clamping point. Pneumatic clamping ensures constant gripping force with easy, reproducible adjustment. The specimen is held securely and jaw breaks are avoided.

The specimen grips can be used horizontally with the load reduction curve and vertically without the load reduction curve.

The gripping pressure for the specimen grip can be set steplessly and reproducibly via a pneumatic control unit and optionally via the testXpert III testing software.

This ensures safe clamping of a variety of materials. The specimen grip is opened and closed via buttons on the testing machine. The optional foot pedal unit or machine remote control can be used for additional operating convenience.

Advantages and features

- Secure holding of the specimen ensures reliable test results, even with specimens prone to shrinkage.
- High specimen throughput thanks to quick specimen insertion and centering via guide groove.
- The load-reduction curve ensures gentle gripping with no jaw breaks.
- The jaws can be changed easily for different applications.
- Interchangeable load reduction curves enable optimum adaptation of the specimen grips to accommodate different specimen materials.
- In addition, the specimen grip can also be used vertically without load-reduction curve.
- Two specimen grips in one. Depending on the specimens, the specimen grips can be used with the load reduction curve as well as without it. As a result, optimal gripping is ensured even with alternating specimens.

Product Information

Capstan grips type 8190 F_{max} 1 kN, pneumatic

Technical data

Item No.	1106812	1106813	
Type	8190	8190	
Test load F _{max}	1	1	kN
Operating pressure	1 ... 6	1 ... 6	bar
The operating pressure depends on the upstream components.			
Gripping force at 6 bar	4.2	4.2	kN
Opening width with jaws	5	5	mm
Gripping travel	5	5	mm
Dimensions			
Height	105	105	mm
Width	115	115	mm
Depth, upper specimen grip	74.5	74.5	mm
Depth, lower specimen grip	76.5	76.5	mm
Depth with connection unit	91	91	mm
Connection, hole	Ø 8	Ø 20	mm
Weight per specimen grip, approx.	1.4	1.4	kg
Ambient temperature	+10 ... +35	+10 ... +35	°C
Scope of delivery	2	2	piece(s)

Accessories required

Pneumatic hoses (1x required)

Description	ArticleNumber
Set of pneumatic hoses for connecting a pair of pneumatic grips; including hose guiding for strain relief	1112640

Pneumatic control unit

See section 4.6 Accessories

Flat jaws

Scope of delivery. 1 set (= 4 pieces)

Version	Clamping surface		Hardness	Item No.
	Height [mm]	Width [mm]		
Steel, fsc. ¹⁾ 0.4 mm	66	8	61 HRC	315202
Vulkollan, smooth	66	8	88 ± 3 Shore (A)	313368
Aluminum with transverse grooves	66	8	80 HB	313376
Aluminum against Vulkollan, corrugated	66	8	80 HB/88 ± 3 Shore (A)	313370
Oxide ceramic, smooth	66	8	Knoop 2300	313372

Product Information

Capstan grips type 8190 Fmax 1 kN, pneumatic

Version	Clamping surface		Hardness	Item No.
	Height [mm]	Width [mm]		
Plexiglas with cross grooves	66	8	-	313380
Plexiglas, smooth	66	8	-	313954

1) Fsc = fish scale

Load-reduction curves (1 x required)

Scope of delivery: 2 pieces

Description	ArticleNumber
90° deflection curve	317371
Palitex curve	317373
90° deflection curve for tapes, max. width 8 mm	324983